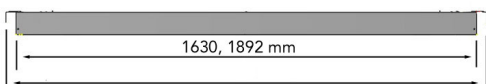
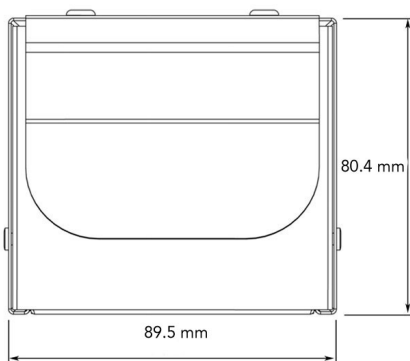




Flood 830			Flood 840		
50W	95°/71°		50W	95°/71°	
m	ø	lux	m	ø	lux
1.0	2.17	2648	1.0	2.17	2776
2.0	4.35	662	2.0	4.35	694
3.0	6.52	294	3.0	6.52	308



Grid LED 5000 G2

Technical specification

Linear down light for LED tubes with separate electronic gear for LED. Reflector with flood beam spread. Housing of powder painted sheet metal. Built in electronic.

Model and colors Available in white.

Area of use LED light for indoor functional ceiling. Suitable for general lighting.

Technical data

Mains (input) voltage	220-240 V
LED driver output	Constant voltage 28V, Max 60W
Total weight	4,57 kg
Form of protection	IP 20, class I
Color temperature	3 000 K
Color rendering index (CRI)	80+
Light source	LED
Operating position	Vertical
Lamp holder	NLAB Standard
Start time	Instant
Reflector	High quality anodized reflector
Beam spreads	Flood

Art no (EU)	Description	Color
204-550	GRID LED 1700mm, 830 ¹	White
204-551	GRID LED 1700mm, 835 ¹	White
204-552	GRID LED 1700mm, 840 ¹	White
204-553	GRID LED 1900mm, 830 ²	White
204-554	GRID LED 1900mm, 835 ²	White
204-555	GRID LED 1900mm, 840 ²	White

Type	Lumen output [lm]	Power [W]	EEE ³
830	5000	46	A+
835	5100	46	A+
840	5200	46	A+

Note

¹ Driver included

² Driver separate

Final shipping destination may require minor modifications of components as well as article numbers, be sure to state the country in which the fixtures will be used.

For latest performance data please download datasheet from www.nordiclight.com