



## Grid LED 2000 G2

### Technical specification

Linear down light for LED tubes. Reflector with flood beam spread. Housing of powder painted sheet metal. Built in electronic.

**Model and colors** Available in white.

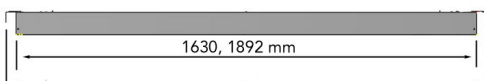
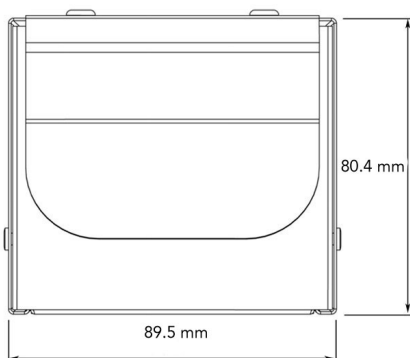
**Area of use** LED light for indoor functional ceiling. Suitable for general lighting.

### Technical data

Mains (input) voltage	220-240 V
Total weight	4,57 kg
Form of protection	IP 20, class I
Color temperature	3 000 K
Color rendering index (CRI)	80+
Light source	LED
Operating position	Vertical
Lamp holder	NLAB Standard
Control gear	Electronic
Start time	Instant
Reflector	High quality anodized reflector
Beam spreads	Flood

Flood		
17W	96/86°	
m	ø	lux
1.0	1.87	859
2.0	3.73	215
3.0	5.60	95

Art no (EU)	Description	Color
204-538	GRID LED 1700mm, 830 <sup>1</sup>	White
204-539	GRID LED 1700mm, 835 <sup>1</sup>	White
204-540	GRID LED 1700mm, 840 <sup>1</sup>	White
204-541	GRID LED 1900mm, 830 <sup>2</sup>	White
204-542	GRID LED 1900mm, 835 <sup>2</sup>	White
204-543	GRID LED 1900mm, 840 <sup>2</sup>	White



Type	Lumen output [lm]	Power [W]	EEE <sup>3</sup>
830	1850	17	A+
835	1900	17	A+
840	1950	17	A+

### Note

<sup>1</sup> Driver included

<sup>2</sup> Driver separate

Product also available in higher power levels. Final shipping destination may require minor modifications of components as well as article numbers, be sure to state the country in which the fixtures will be used.

Product is still under construction.

Please ask Nordic Light for latest availability update.

**For latest performance data please download datasheet from [www.nordiclight.com](http://www.nordiclight.com)**