



Technical specification

Outdoor Led light with incorporated electronic gear. Cylindrical reflector with optional lens spread, 15x30 and 60x92. Safety glass required. Yoke, lamp and gear housing are made in die-cast aluminum. Electronic driver in separate driver box for optional cooling, which increases the product lifetime and enhance the performance of the light source.

Model and colors

Available in grey and other colours on request.

Area of use

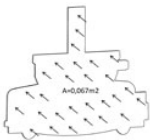
Outdoor, arena and industrial use.

Accessories

On request, elumdat files of the different lenses are provided.

Technical data

Mains (input) voltage	220-240 V
Total weight	12,5 kg
Form of protection	IP 66, class II
Color temperature	5 000 K
Luminaire output	26100 lm
Light source	LED
Operating position	Universal
Energy consumption	302 W
Control gear	Electronic
Start time	Instant
Driver	Separate
Safety glass	Included
Optics	15x30, 60x92

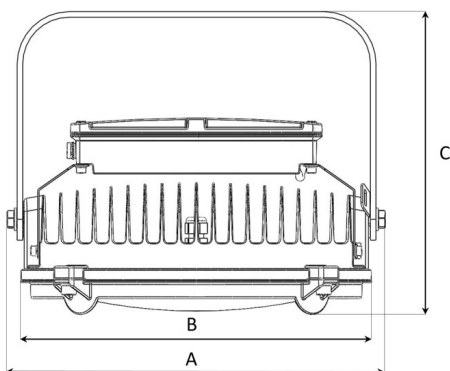


Art no	Description	Color
151-5xx-30	15x30 dgr	Grey
151-5xx-30	60x92 dgr	Grey
151-5xx-30	Flood 79 dgr	Grey

Note

Final shipping destination may require minor modifications of components as well as article numbers, be sure to state the country in which the fixtures will be used. Product is still under construction, please check with Nordic Light for latest update.

For latest performance data please download datasheet from www.nordiclight.com



A 409 B Ø379 C 326 (mm)