



Technical specification

Linear down light for LED tubes. Reflector with spot or flood beam spreads. Housing of powder painted extruded aluminium.

Model and colors

Available in grey.

Area of use

LED light for indoor applications, suitable for general lighting.

Technical data

Mains (input) voltage	220-240 V
Driver output	Constant voltage 28V, Max 60W
Total weight	Hook 3,65kg track 3,41 kg
Form of protection	IP 20, class I
Color temperature	3 000 K
Color rendering index (CRI)	80+
Luminaire output	6650 lm
Light source	LED
Operating position	Vertical
Lamp holder	NLAB Standard
Energy consumption	56 W
Control gear	Electronic
Start time	Instant
Driver	Included
Reflector	High quality anodized reflector
Optics	
Beam spreads	Spot, Flood

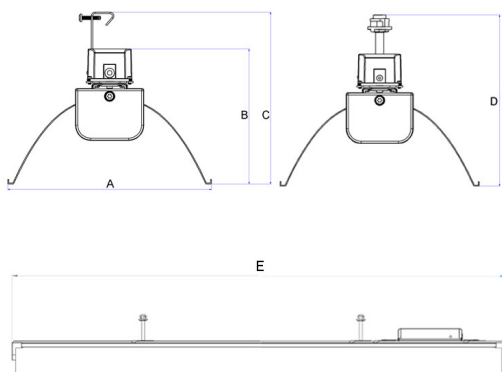


Art no	Description	Color
208-03-001	Eagle LED, 220-240V, for Track mounting	Grey
208-03-002	Eagle LED, 220-240V, for Horizontal wire	Grey
208-36	Horizontal wire and ceiling suspension	Grey

Note

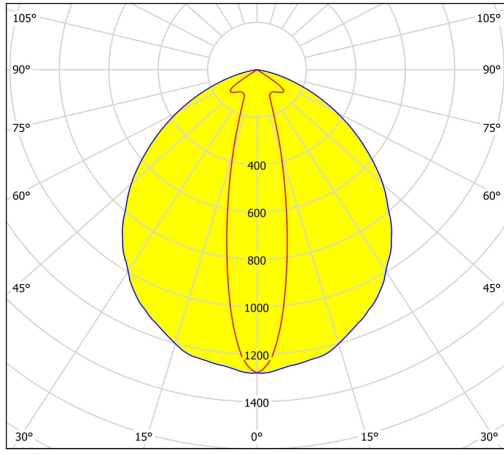
Product also available in lower power levels. Final shipping destination may require minor modifications of components as well as article numbers, be sure to state the country in which the fixtures will be used. Please ask Nordic Light for latest availability update.

For latest performance data please download datasheet from www.nordiclight.com

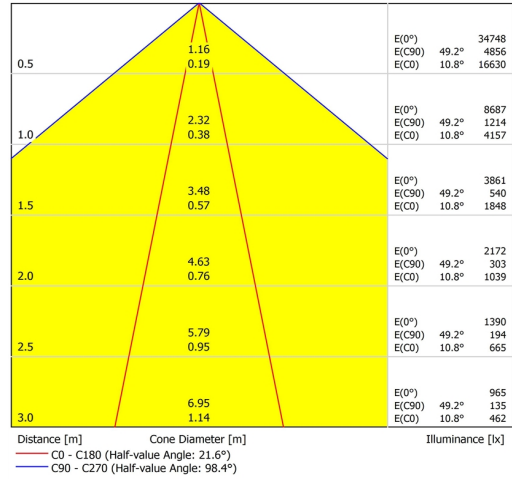


A 216 B 143 C 182 D 185 E 1493 (mm)

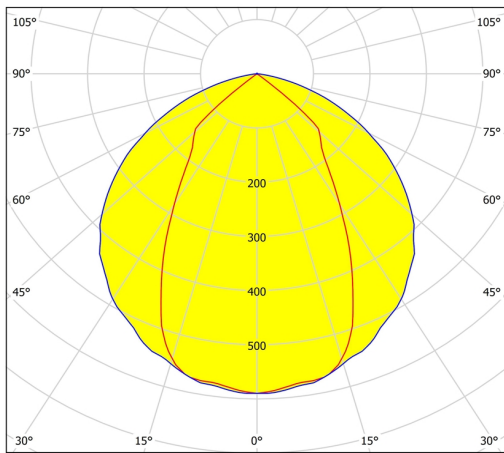
Spot, 98/22°



cd/klm
 — C0 - C180 — C90 - C270



Flood, 110/61°



cd/klm
 — C0 - C180 — C90 - C270

